

OUIB/OLIB/OLRB ODIB/ODRB

SPECIFICATIONS

Configurations

- Upflow / Highboy
- Basement / Lowboy
- Horizontal / Counterflow

Heat Exchanger

- Heavy-duty 14 gauge steel with a long lasting, high temperature ceramic fiber combustion chamber
- Easy access large diameter stainless steel cleanout ports

Cabinet

- Foil-faced high density fiberglass insulation reduces heat loss and sound
- Pre-painted steel for maximum durability

Blower

- Direct drive with slide-out design (upflow only) and quick plug-in wiring
- 4 speed PSC direct drive motors with dynamically balanced blower wheel and resilient motor mounts for smooth and quiet operation

Burner

- High quality Beckett™ Flame Retention AFG Burner for efficient combustion
- High efficiency PSC Burner motor to provide consistent operation through all operating conditions
- Solid state ignition provides a consistent 10,000 volts for smooth ignition
- Color coded wiring for easy service
- 40VA Transformer and cooling fan relay are factory wired for easy add-on cooling installation

Venting

- Includes field installed barometric damper
- Optional sidewall vent kit available

Genisys™ Advanced Burner Control

(Model: 7505B1500) features the following:

- Programmable valve-on delay and motor-off delay
- Three indicator lights for system monitoring and diagnostics
- Two communication ports for adding alarm contacts, programming display, and/or future wireless communications
- Welded relay protection with redundant motor relays
- Limited reset and limited recycle
- Sleek, modern design
- Technician Pump Prime mode

Comfort-Aire®

PSC OIL FURNACES

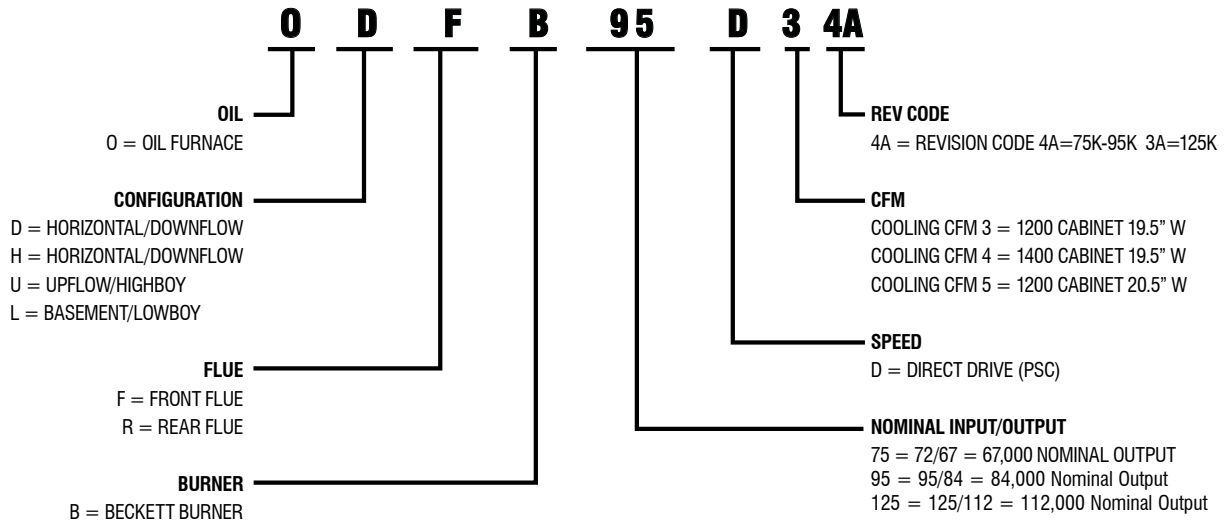
83% - 84%



Warranty—Limited lifetime on heat exchanger, 5 years on parts
(Some limitations apply; see printed warranty for details.)

www.marsdelivers.com

MODEL NUMBER GUIDE



PHYSICAL AND ELECTRICAL DATA

Configuration	Model	Nozzle Size	Input (Btuh)	Output (Btuh)	AFUE	Nom. Cooling Cap.	Flue Dia. (in.)	Filter Size (in.)	Volts/Hz/Phase	Max. Time Delay Breaker or Fuse (amp)	Trans. (V.A.)	Shipping Weight (lb.)
Upflow / Highboy	OUFB75-D3-4A	.50GPH-80°A	67,500	57,000	84.0	2.0 - 3.0	6	16 x 25	120/60/1	15	40	230
		.65GPH-80°B	85,500	72,000								
	OUFB95-D4-4A	.65GPH-80°B	101,000	84,000	83.0	2.5 - 4.0	6	16 x 25	120/60/1	15	40	250
		.75GPH-80°B	113,500	95,000								
	OUFB125-D5-3A	.85GPH-80°B	135,000	113,000	83.0	3.0 - 5.0	6	16 x 25 ⁽²⁾	120/60/1	15	40	270
		1.00GPH-80°B	151,000	126,000								
Basement / Lowboy	OLFB95-D4-4A OLRB95-D4-4A	.65GPH-80°B	101,000	85,000	83.0	2.5 - 4.0	6	18 x 19	120/60/1	15	40	225F
		.75GPH-80°B	113,500	95,000								230R
	OLFB125-D5-3A OLRB125-D5-3A	.85GPH-80°B	134,000	113,000	83.0	3.0 - 5.0	6	19 x 21	120/60/1	15	40	270
		1.00GPH-80°B	151,000	127,000								
Horizontal / Counterflow	ODFB95-D3-4A	.65GPH-80°B	101,000	85,000	83.0	2.0 - 3.0	6	Filters are not supplied with these models	120/60/1	15	40	250
		.75GPH-80°B	113,500	95,000								
	ODRB95-D3-4A	.65GPH-80°B	101,000	85,000	83.0	2.0 - 3.0	6		120/60/1	15	40	250
		.75GPH-80°B	113,500	95,000								
	ODFB-125-D5-3A	.85GPH-80°B	135,000	113,000	84.0	3.0 - 5.0	6		120/60/1	15	40	0
		1.00GPH-80°B	150,000	126,000								

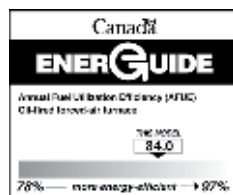
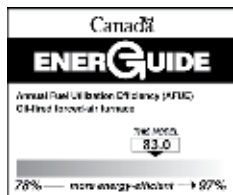
Requires return air be brought to both sides above 1600 CFM.

Note: Upflow models shipped with filter(s) for side return.

All models are rated at 140 psi pump pressure except the LUF80C57/72 and LBF/R 57/72 which is rated 100 psi.

BLOWER PERFORMANCE DATA

Description	Model	Motor Size (hp)	Blower Size	Temp. Rise °F	Blower Speed	CFM @ ext. static pressure - in W.C.								
						0.20	0.30	0.40	0.50	0.60	0.70	0.80	0.90	
Uptflow / Highway	OUFB75-D3-4A	1/3	10 x 8	50 - 80	High	1,410	1,355	1,300	1,220	1,155	1,075	990	890	
					Med High	1,260	1,215	1,170	1,120	1,060	990	915	800	
					Med	1,040	1,025	990	960	910	860	790	680	
					Low	885	880	850	830	785	740	680	605	
	OUFB95-D4-4A	1/2	10 x 10	50 - 80	High	1,755	1,695	1,940	1,590	1,495	1,360	1,250	1,095	
					Med High	1,445	1,425	1,400	1,335	1,285	1,200	1,065	965	
					Med	1,190	1,180	1,145	1,110	1,055	985	895	825	
					Low	990	980	960	925	880	835	775	690	
	OUFB125-D5-3A	3/4	12 x 11	45 - 75	High	2090	1995	1940	1835	1760	1665	1570	1480	
					Med High	1835	1785	1725	1660	1595	1525	1440	1345	
					Med	1630	1615	1560	1500	1460	1385	1310	1240	
					Low	1425	1390	1375	1335	1300	1240	1165	1110	
Basement/Lowboy	OLFB95-D4-4A OLRB95-D4-4A	1/2	10 x 9	45 - 75	High	1,760	1,670	1,600	1,550	1,410	1,315	1,170	1,000	
					Med High	1,605	1,515	1,460	1,395	1,305	1,190	1,080	935	
					Med	1,375	1,345	1,300	1,260	1,190	1,075	975	830	
					Low	1,160	1,150	1,130	1,105	1,035	955	855	650	
	OLFB125-D5-3A OLRB125-D5-3A	3/4	12 x 10	45 - 75	High	2360	2275	2190	2130	2025	1900	1815	1700	
					Med High	2000	1975	1900	1835	1790	1715	1600	1525	
					Med	1730	1720	1695	1675	1605	1550	1475	1400	
					Low	1470	1465	1450	1440	1410	1370	1300	1225	
	Horizontal / Counterflow	ODFB95-D3-4A	1/2	10 x 10	45 - 75	High	1,410	1,320	1,280	1,195	1,090	1,000	850	790
						Med High	1,340	1,280	1,190	1,100	1,015	900	801	680
						Med	1,235	1,175	1,090	1,015	920	845	730	600
						Low	1,090	1,035	975	900	855	770	665	545
ODFB-125-D5-3A		3/4	12 x 9	45 - 75	High	2205	2120	2070	2005	1930	1850	1765	1675	
					Med High	1770	1740	1745	1710	1640	1600	1515	1425	
					Med	1550	1530	1515	1485	1455	1405	1340	1300	
					Low	1295	1290	1280	1270	1255	1225	1170	1100	
ODRB95-D3-4A		1/2	10 x 10	45 - 75	High	1,485	1,400	1,305	1,210	1,105	995	870	740	
					Med High	1,380	1,305	1,220	1,150	1,035	930	800	670	
					Med	1,230	1,170	1,110	1,000	935	845	735	595	
					Low	1,055	1,020	970	910	835	755	640	505	



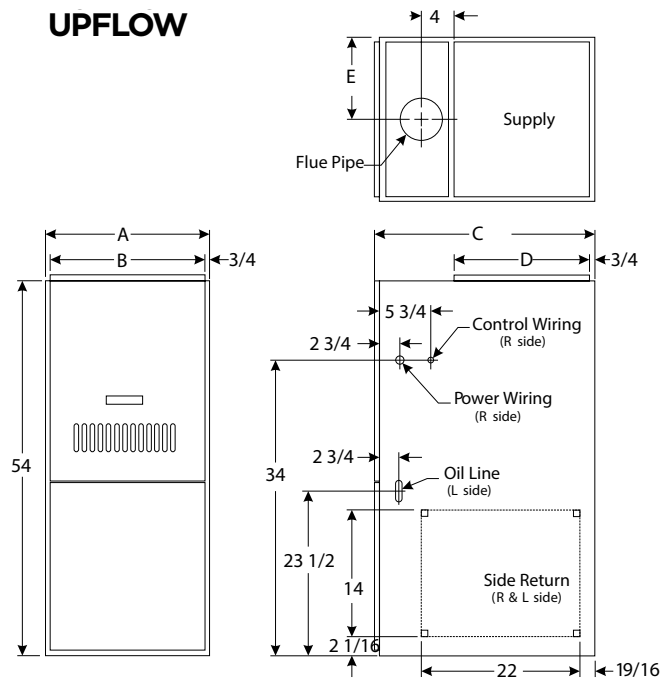
UPFLOW: DIMENSIONS (IN.)

Model	A	B	C	D	E
OUIB75-D3-4A	19 1/2	18	30 5/8	19 5/8	9 3/4
OUIB95-D4-4A					
OUIB125-D5-3A	22 1/2	21	33 1/8	22 1/8	11 1/4

UPFLOW: CLEARANCES TO COMBUSTIBLES (IN.)

Model	Front	Sides	Rear	Floor	Above	Flue
OUIB75-D3-4A	4	0	0	Combustible	2	6
OUIB95-D4-4A						
OUIB125-D5-3A						

UPFLOW

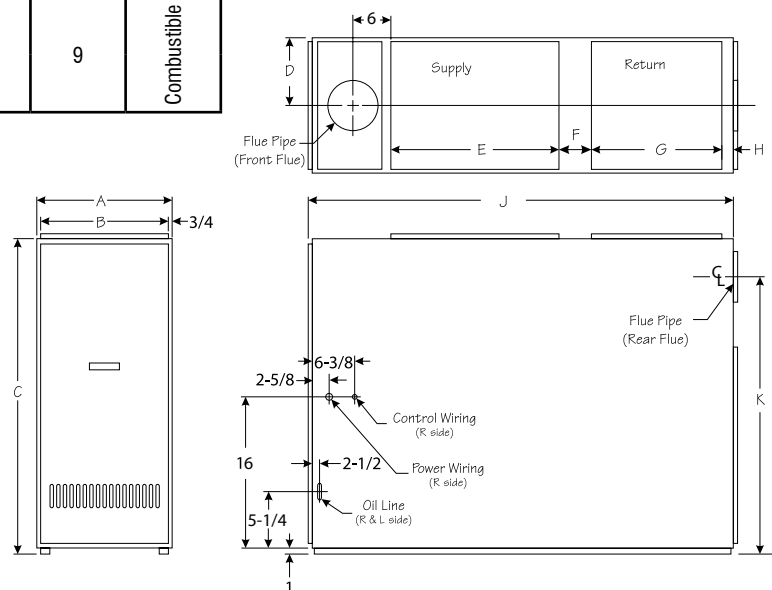


BASEMENT: DIMENSIONS (IN.)

Model	A	B	C	D	E	F	G	H	J	K
OLFB95-D4-4A	22-1/2	21	37	11-1/4	21	3-1/4	16	1-1/2	52	N/A
OLFB125-D5-3A										
OLRB95-D4-4A	22-1/2	21	37	11-1/4	21	3-1/4	16	1-1/2	52	N/A
OLRB125-D5-3A										

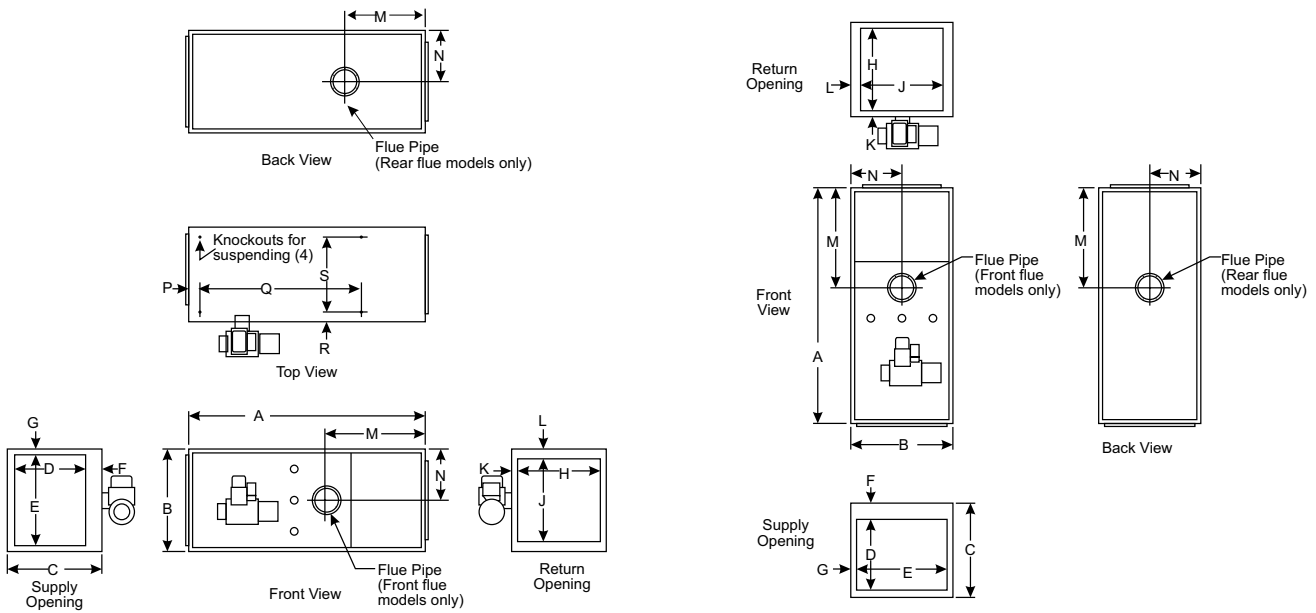
BASEMENT: CLEARANCES TO COMBUSTIBLES (IN.)

Model	Front	Sides	Rear	Above	Flue	Floor
OLFB95-D4-4A OLRB95-D4-4A	4	6	24	2	9	Combustible
OLFB125-D5-3A OLRB125-D5-3A						



HORIZONTAL/COUNTERFLOW: DIMENSIONS (IN.)

Model	A	B	C	D	E	F	G	H	J	K	L	M	N	P	Q	R	S
ODFB95-D3-4A	59	20-1/2	20-1/2	18-1/4	18-1/4	1-1/4	1-1/4	18	18	1-1/4	1-1/4	32-1/2	10-1/4	3	41-1/2	3	14-1/2
ODFB-125-D5-3A	59	23-1/2	23-1/2	21-1/4	21-1/4	1-1/4	1-1/4	21	21	1-1/4	1-1/4	32-1/2	11-3/8	3	41-1/2	3	17-1/2
ODRB95-D3-4A	59	20-1/2	20-1/2	18-1/4	18-1/4	1-1/4	1-1/4	18	18	1-1/4	1-1/4	32-1/2	10-1/4	3	41-1/2	3	14-1/2



HORIZONTAL: CLEARANCES TO COMBUSTIBLES (IN.)

Model	Front	Above	Rear	Flue	Bottom
ODFB95-D3-4A	24	1	1	7	1
ODFB-125-D5-3A					
ODRB95-D3-4A	24	1	24	7	1

COUNTERFLOW: CLEARANCES TO COMBUSTIBLES (IN.)

Model	Front	Sides	Rear	Floor	Above	Flue
ODFB95-D3-4A	16	1	1	Non-Combustible	0	7
ODFB-125-D5-3A					0	7
ODRB95-D3-4A	16	1	1		0	7

ACCESSORIES

DESCRIPTION	USED WITH	CATALOG NUMBER	KIT NUMBER
Clean Out Kit	All models	1.841025	ABRSH380-3
Field Controls Side Wall Vent Kit *	All Models	See Note Below	See Note Below
Combustion Air Kit	All Models	1.841038	ABOOT571
Clean Out Cap Kit	All Models	1.841037	ACAP570
Combustible Floor Base	ODFB95/ODRB95	1.841022	BASE537-1
	ODFB125	1.841023	0

Note: * This can be ordered from Field Controls, part number SWG-5-CK61.



Due to ongoing product improvements, specifications and dimensions are subject to change and correction without notice or incurring obligations. Determining the application and suitability for use of any product is the responsibility of the installer. Additionally, the installer is responsible for verifying dimensional data on the actual product prior to beginning any installation preparations.

Third party incentive and rebate programs have precise requirements as to product performance and certification. All products meet applicable regulations in effect on date of manufacture; however, certifications are not necessarily granted for the life of a product. Therefore, it is the responsibility of the applicant to determine whether a specific model qualifies for these incentive/rebate programs.

"This product complies with all California product labeling laws including, but not limited to, the Safe Drinking Water and Toxic Enforcement Act of 1986, more commonly known as Proposition 65."